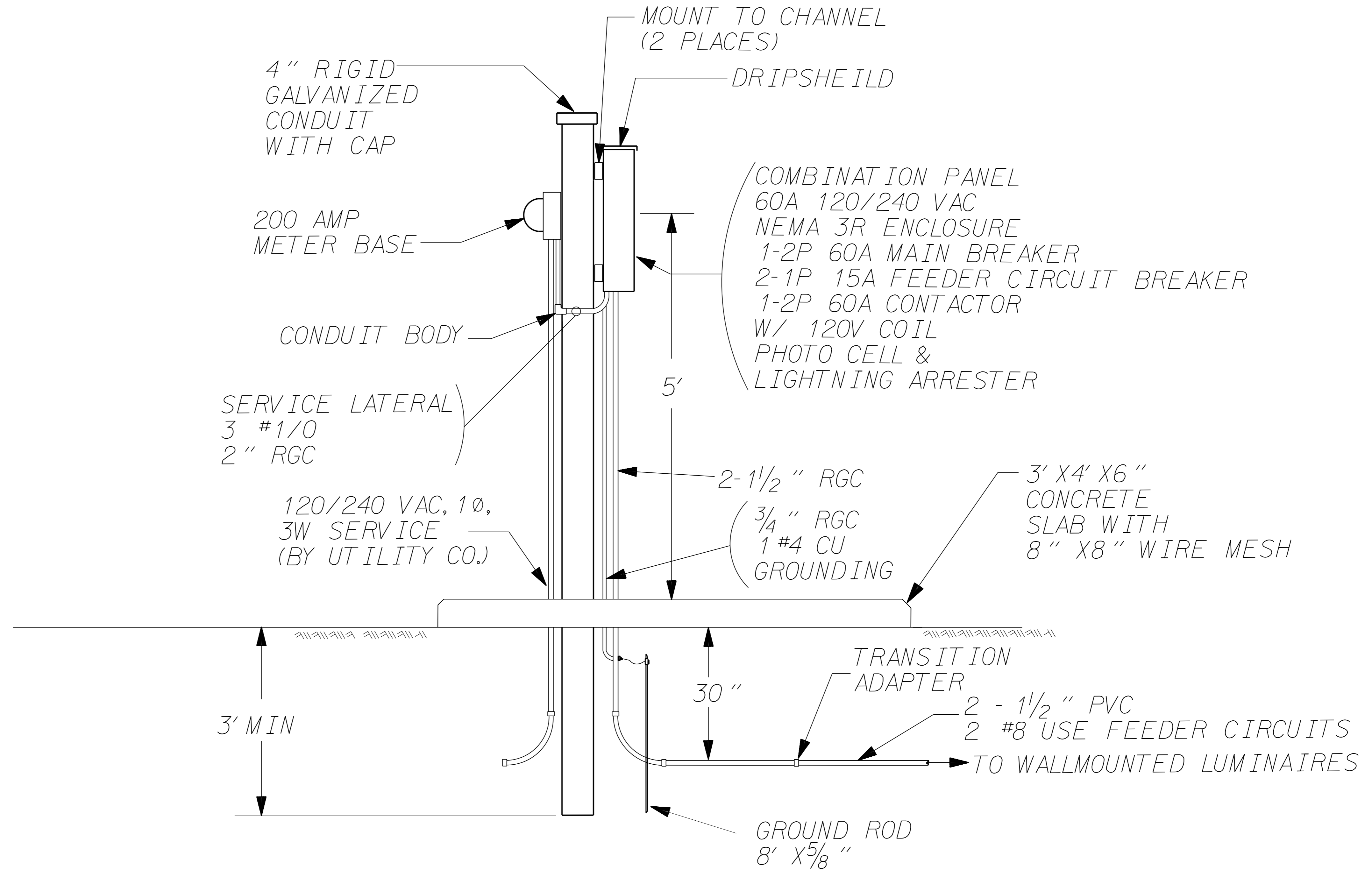




DocuSigned by:  
Paul Chan 7/15/2015  
F83C488EEEF4A2...

USE FOR LIGHTING CONSTRUCTION ONLY



LIGHTING CONTROLLER/SERVICE ENTRANCE EQUIPMENT

SQUARE D NIGHT-MASTER CLASS 8903 OR APPROVED EQUAL

2			
1			
Rev.	Date	Description	Approved
<b>NORTH CAROLINA DEPARTMENT OF TRANSPORTATION</b> ROADWAY DESIGN      LIGHTING/ELECTRICAL SECTION			
<b>ELECTRICAL LIGHTING CONTROL SYSTEM DETAILS</b>			
Drawn By:	AB	Approved By:	Dwg No.: